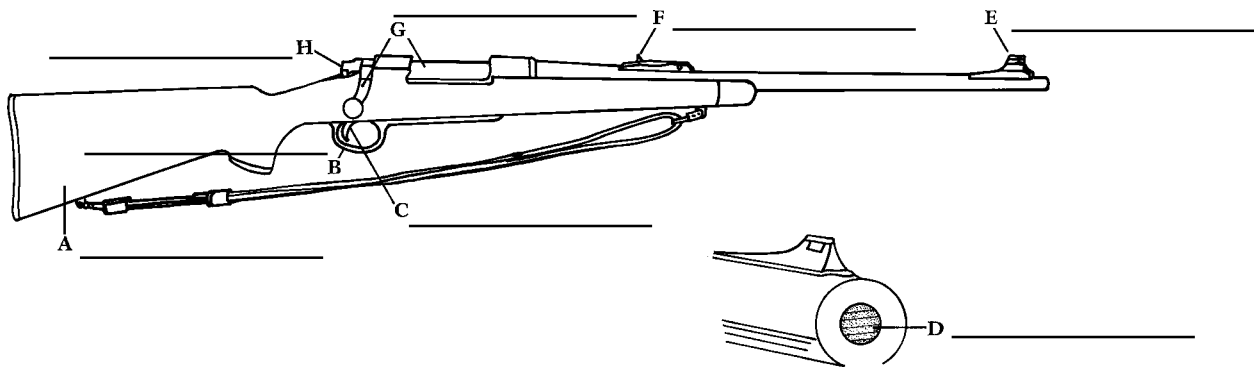


Chapter 2 Review Questions

1. Name the four primary rules of firearm safety. _____

2. Name the three basic parts of a rifle. _____

3. Label the following parts.



4. What is rifling and what does it do? _____

5. Name the five types of rifle actions. _____

6. Name the four different types of rifle sights. _____

7. Once a rifle's safety is "on" the gun can never fire a round. True or False.

Chapter 2 Review Questions

8. Name the two types of rifle ammunition and what is the main difference between them? _____

9. Name the four main components of a rifle cartridge. _____

10. Rifles are measured by _____. Where would you find this stamped on a rifle? _____

11. Ammunition used in a rifle is called a _____.

12. The cartridge's fuel that burns to create pressure that propels the projectile down the barrel is called the _____

13. The part of a cartridge that explodes and ignites the powder is called _____.

14. On centerfire ammunition, how can you match the caliber information between the rifle, cartridge, and the ammunition box to ensure that you have the correct ammunition?
